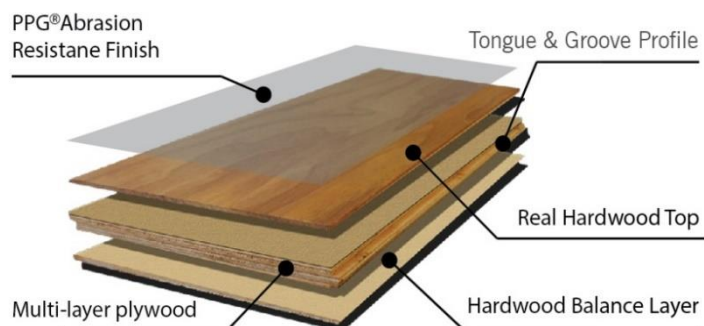


Features

- 3/4" thickness will install flush with existing hardwood flooring, eliminate the need for transitional mouldings
- Indoor Air Quality and Formaldehyde Emission tests: **FloorScore** certified



Product Information

Product Line	Crafters Mission Engineered Hardwood Flooring
Construction	Tongue and Groove
Wood Species	White Oak and Maple
Dimensions	5" x 3/4" x R.L. (16" - 48")
The Look	Handscraped and/or Wirebrushed
Veneer and Finish	All are finished with Traffert® stain and Aluminum Oxide 2mm solid hardwood veneer
Sawn method	All are sliced sawn
Warranty	Please refer to Warranty
Installation	Please refer to Installation Instruction, Care and Maintenance Guide

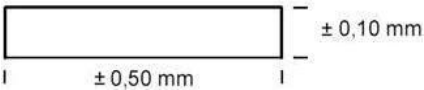

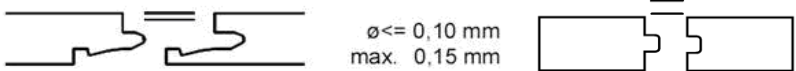
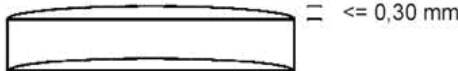
Essential Characteristics

Characteristics	Test Method	Requirement	Our products test result
Reaction to fire	EN13501-1	National requirement	Class C fl-s1
Content of pentachlorophenol	CEN/TR 14823	No content allowed	No content
Slip resistance	EN 13893	Class DS: $\mu \geq 0.30$	DS
Formaldehyde Emission	EN 717-1	$\leq 0.75\text{mg/L (E1)}$	E1

Classification Requirements

Characteristic	Test Method	Valuation
Effect of a furniture leg	EN 424	We recommend the use of protective mats
Effect of castor chair	EN 425	We recommend using felt pads under all furniture legs
Chemical resistance	EN 13442	Category 5
Bond strength/gross cut test	ISO 2409	Category 0
Moisture content	EN 13489	6-9%

Tolerance

Thickness Variance	≤0.5mm
Openings between join panels	≤0.15mm
Dimension Tolerance Length & Width (mm)	
Squareness (mm)	
Height Variation (mm)	
Edge Straightness (mm)	
Flatness	<p>Width Flatness, concave<0.15%, convex<0.20%</p> <p>Length Flatness, concave<0.50%, convex<1.0%</p>

Packaging Information

	Length (mm)	Width (mm)	Thickness (mm)	Sq. ft. per Carton	Weight (lb. per carton)
Plank	Assorted Lengths 400-1220	127	19		
Carton	1220	267	104	16.5	36

Pallet Information

	Length (mm)	Width (mm)	Height (mm)	Volume (m ³)	# of carton per Pallet	Sq. ft. /pallet	Weight (lb.)
Pallet	1245	1092	1092	1.48	40	660	1440